

Job Files\2010\Mocoat Drawings\MOCOAT-vector March 2009.jpg

6224 29th Street SE
Calgary, Alberta T2C 1W3
TEL (403) 236-7738
FAX (403) 287-7728

NO.	DATE			REVISION	BY
	D	MO.	YR.		

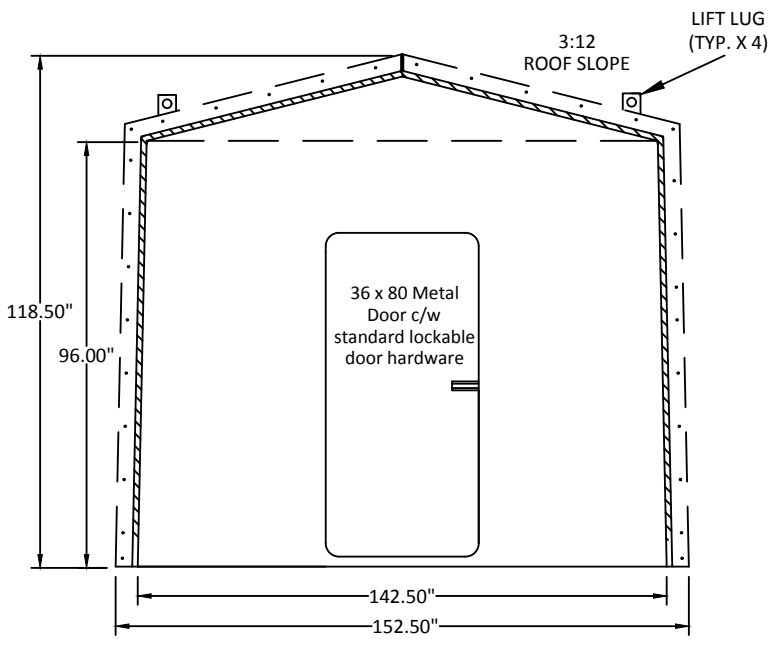
D	MO	YR	ISSUED FOR	BY

CLIENT INFO

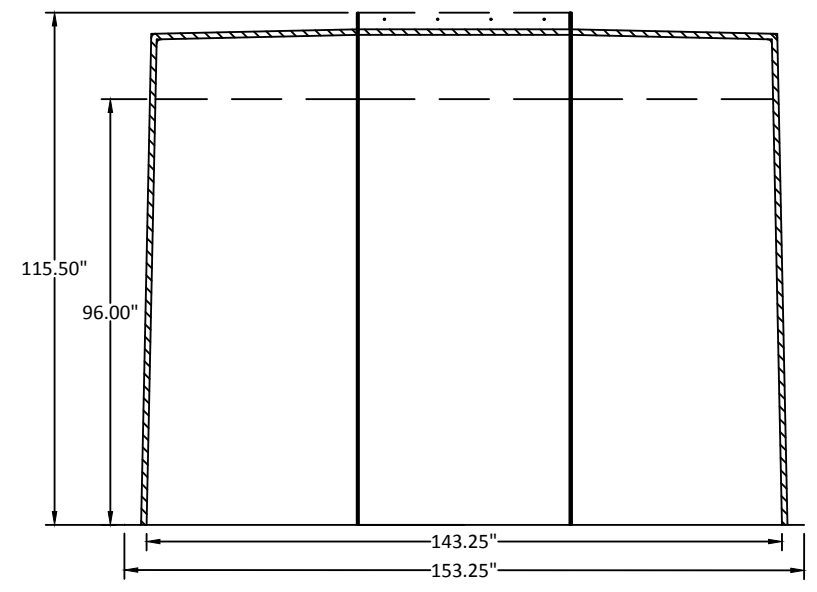
MOCOAT MV SERIES
12'W x 12'L x 8'H BUILDING
QTY:

DRAWN BY	MW	REVIEWED BY	REVIEWED
SCALE	NTS	DATE	2019/04/16
CLIENT APPROVAL		SIGNATURE	
DATE			
ISSUE FOR	APPROVAL	PROJECT NO.	--

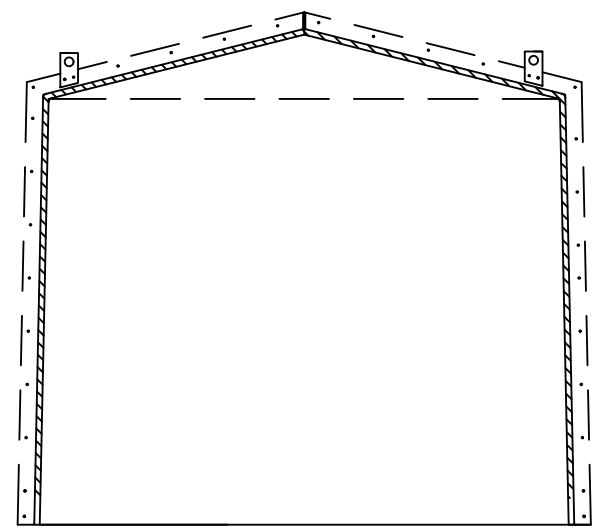
MV10'WX12'LX8'H



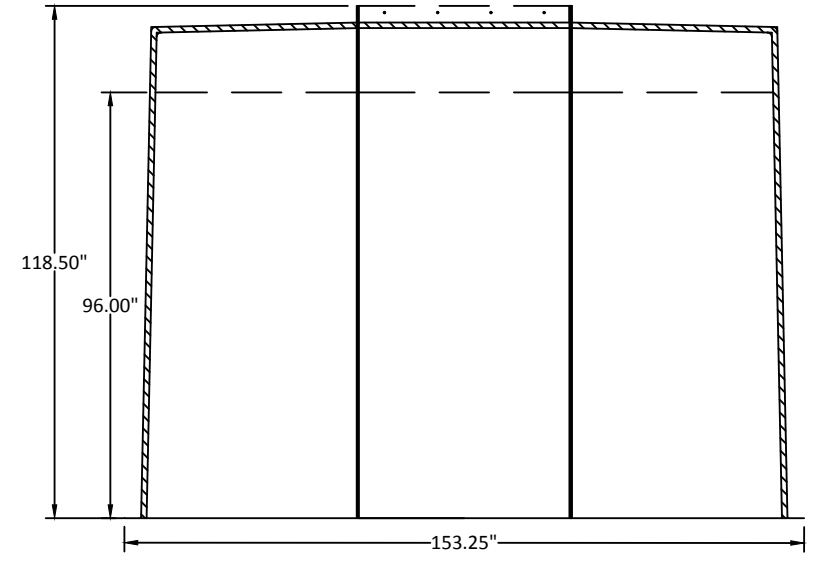
FRONT ELEV.



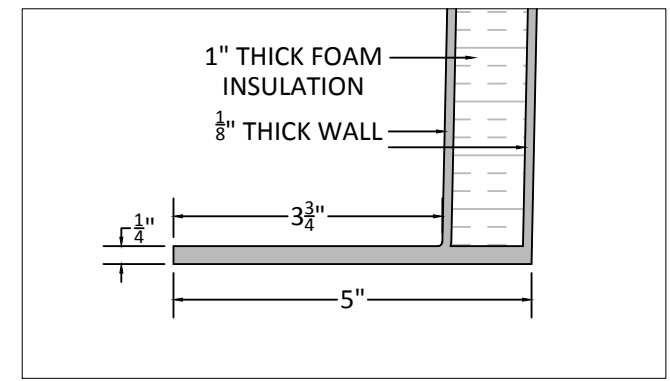
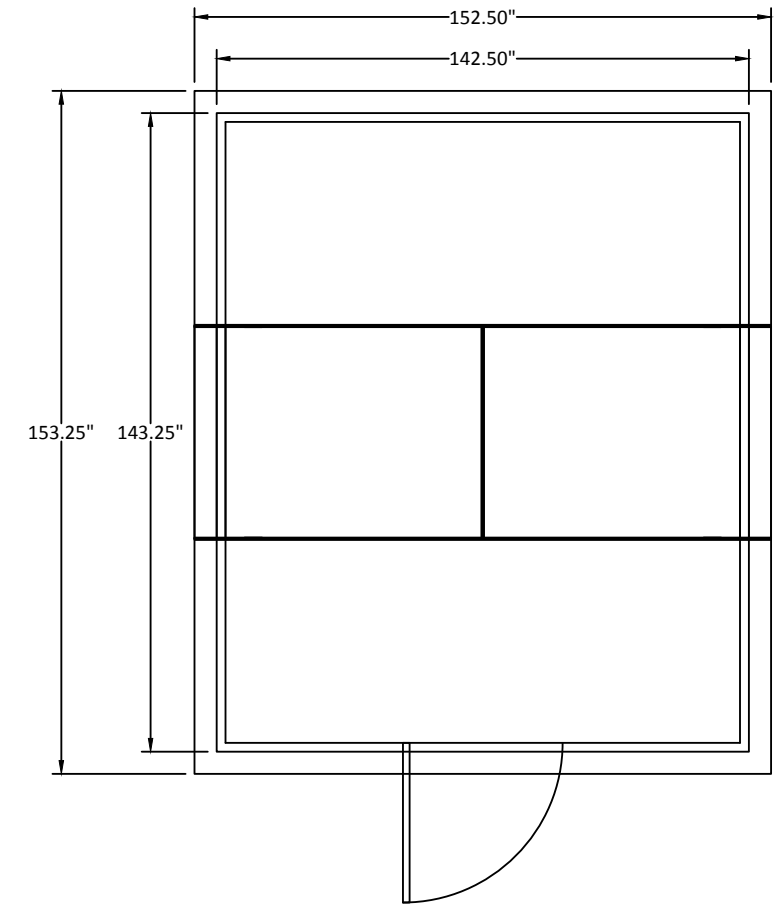
RIGHT ELEV.



REAR ELEV.



LEFT ELEV.



EXTERNAL FLANGE DETAIL

-ALL MEASUREMENTS ARE NOMINAL