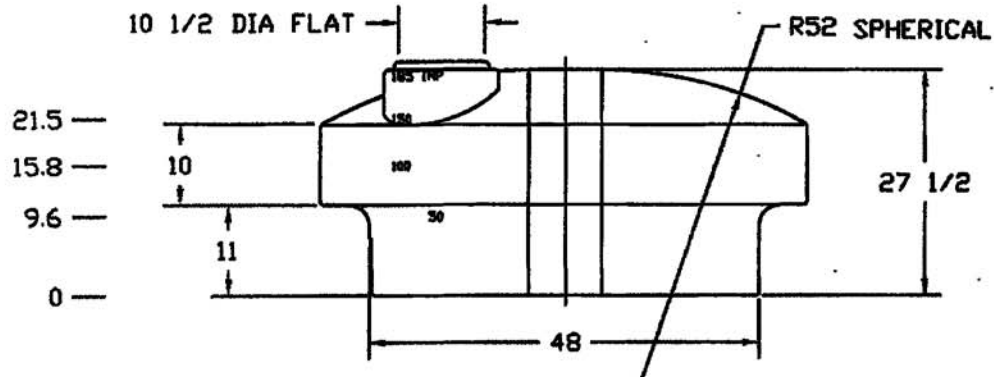
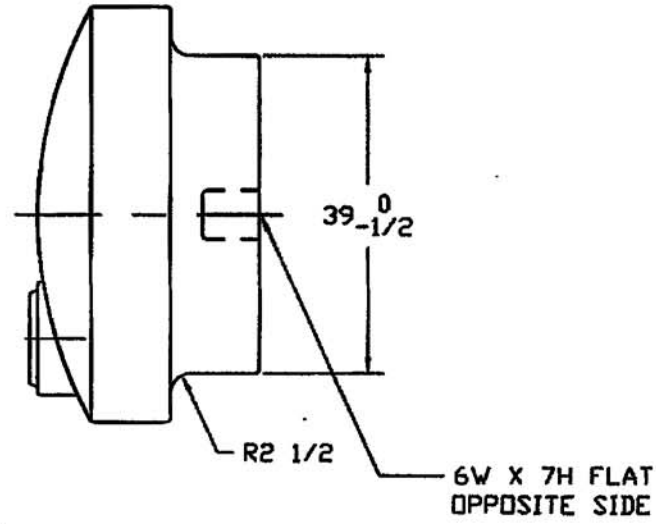
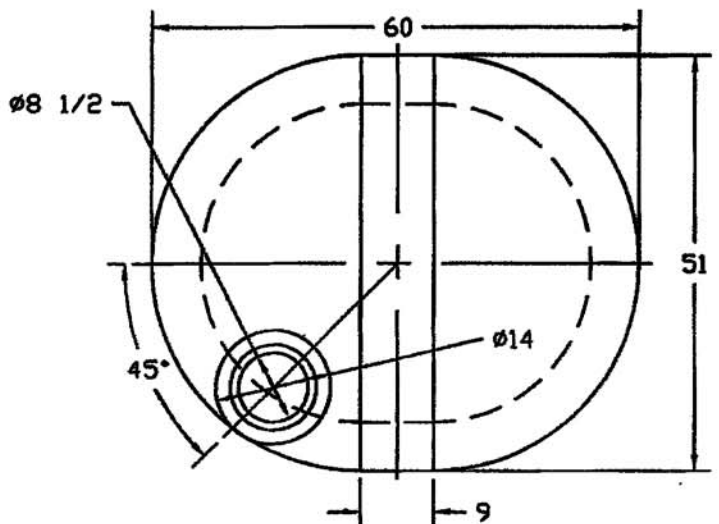


REVISIONS				
ZONE	REV	DESCRIPTION	DATE	APPROVED



		185 IMP GALLON PICKUP TANK		
JTP	18AUG95	SIZE B	FORM NO.	DRG NO. 41213
		SCALE 1/16	SHEET	