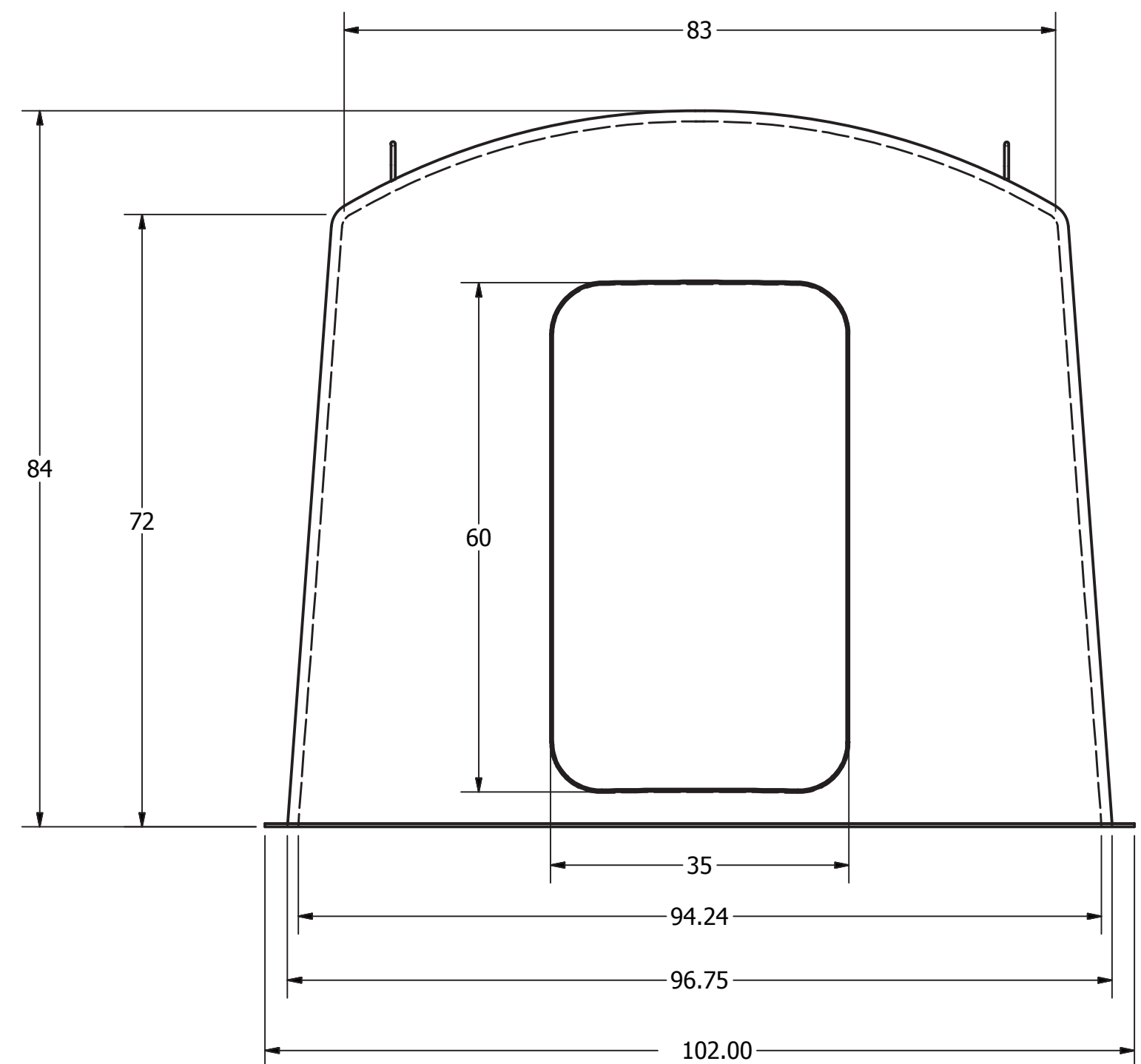
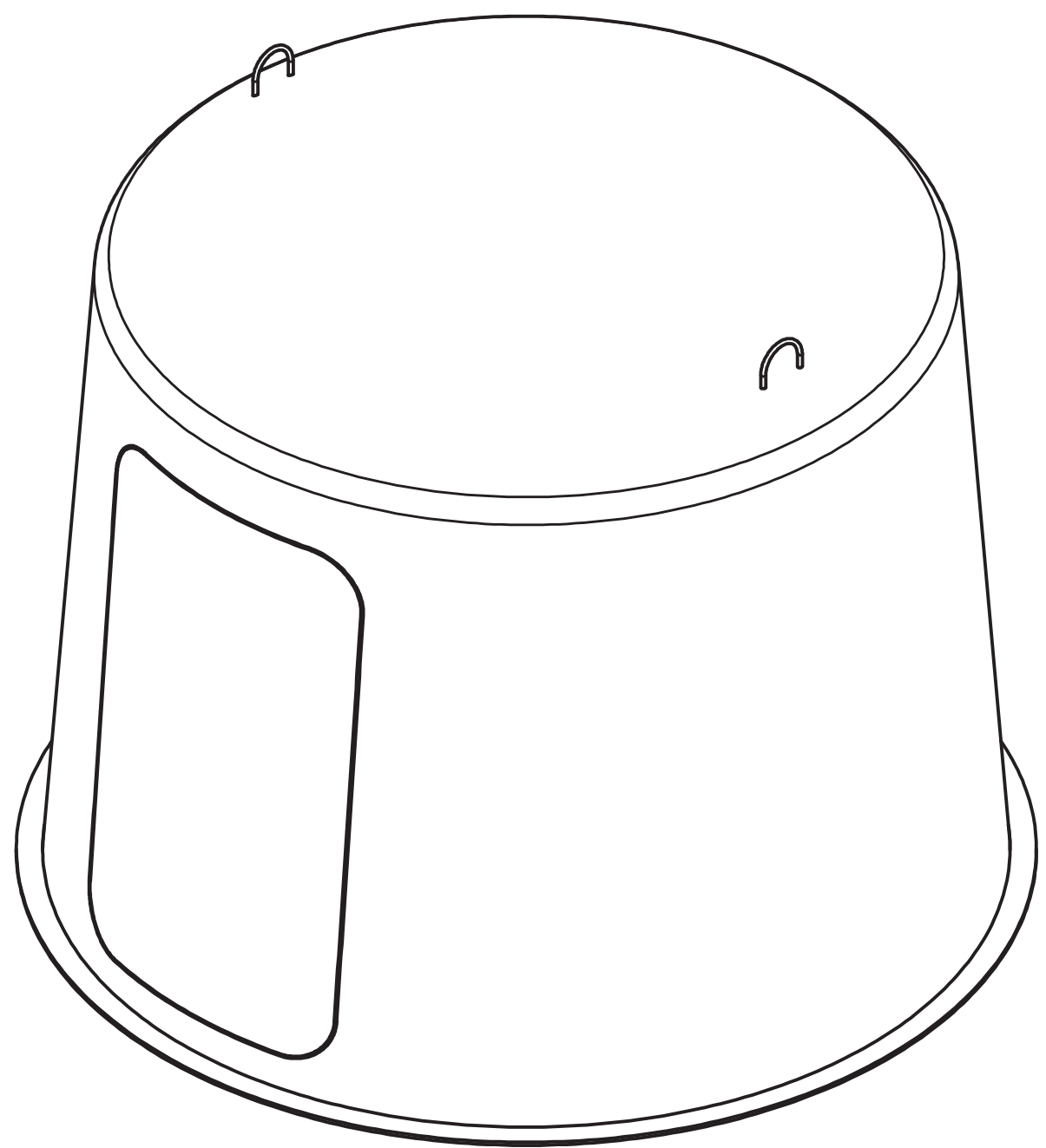



Lift Lug
(typ x 2)



DRAWN	FRP	3/27/2012	TITLE	
CHECKED			WELLHEAD SHELTER - 8' DIA X 7' HIGH	
QA				
MFG				
APPROVED			SIZE	DWG NO
WEIGHT	LENGTH		C	MOCOAT Shelter 8 7 7
CAPACITY			SCALE	REV
				SHEET 1 OF 1