

Dimensions are O.D.

Door Specs

- Standard 36" x 80" metal man door (white)
- Standard 16 Ga. Galvanized white door frame
- Standard keyed door handle
- Mocoat Standard Door chain on man door
- Mocoat Standard threshold for man door
- Mocoat Standard weather stripping for man door

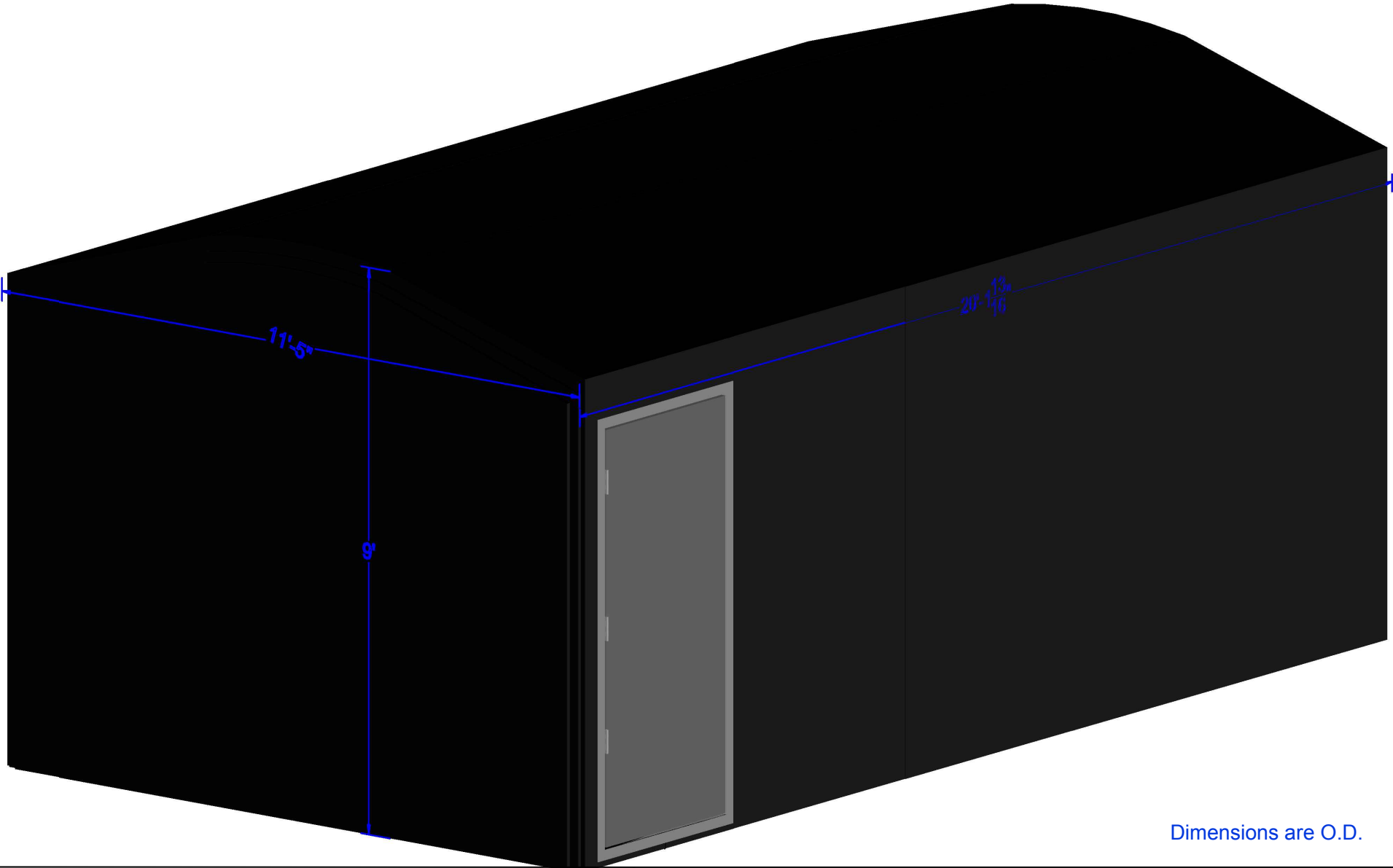
Building Hardware Specs

- Dow Corning 795 Grey caulking
- Eternabond Webseal 4" roof tape
- Nuco BG100 Silicone coating
- Side panels fastened with Gr5 hex cap bolts c/w nut and washers
- End panels fastened with Gr2 carriage bolts c/w self tapping nut
- Panels fastened to base with stainless steel lag bolts

Ownership of Documents

This document, the ideas and designs incorporated herein, as an instrument of service, is the property of Mocoat Solutions and is NOT to be used in whole or in part for any other project without the written permission of, Mocoat Solutions

CLIENT:	
LOCATION:	
PROJECT:	
WORK ORDER NO:	DDMMYY
QUOTE NO:	0810515
SIZE: MM 12 20 9	REV NO: BY: MW



Dimensions are O.D.

- Door Specs**
- Standard 36" x 80" metal man door (white)
 - Standard 16 Ga. Galvanized white door frame
 - Standard keyed door handle
 - Mocoat Standard Door chain on man door
 - Mocoat Standard threshold for man door
 - Mocoat Standard weather stripping for man door

- Building Hardware Specs**
- Dow Corning 795 Grey caulking
 - Eternabond Webseal 4" roof tape
 - Nuco BG100 Silicone coating
 - Side panels fastened with Gr5 hex cap bolts c/w nut and washers
 - End panels fastened with Gr2 carriage bolts c/w self tapping nut
 - Panels fastened to base with stainless steel lag bolts

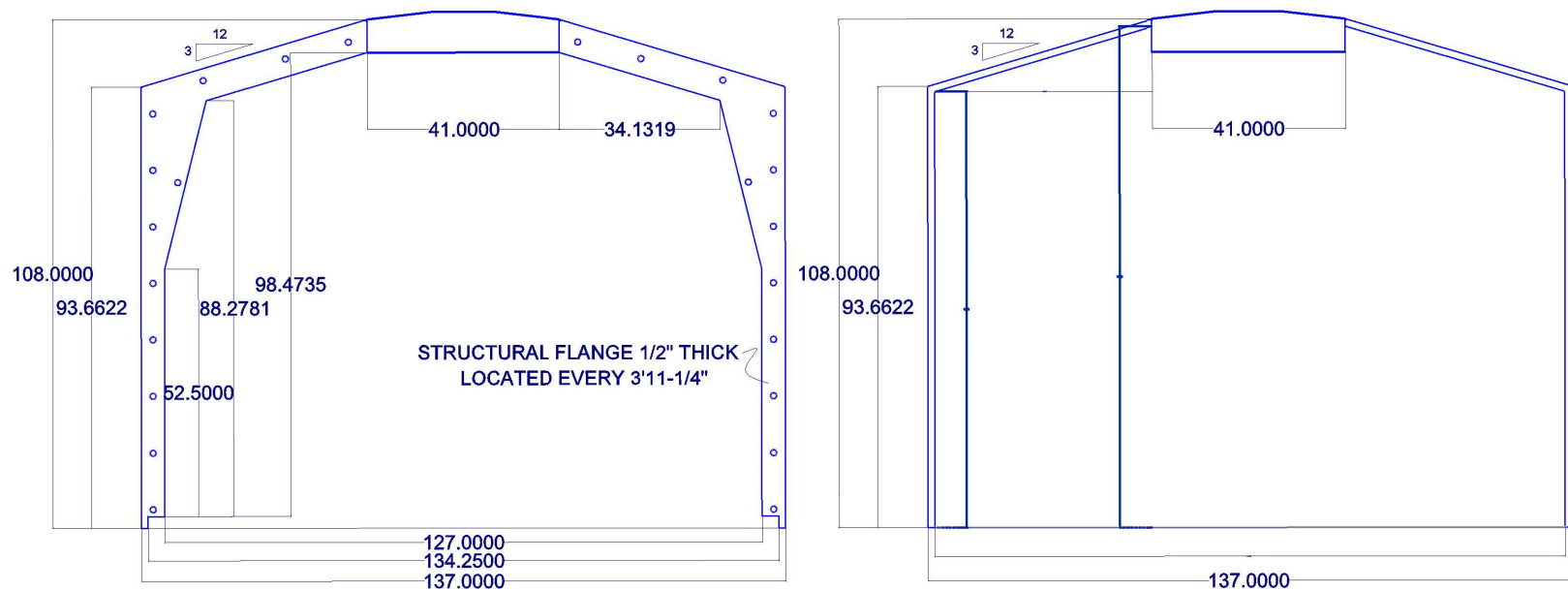
Ownership of Documents
 This document, the ideas and designs incorporated herein, as an instrument of service, is the property of Mocoat Solutions and is NOT to be used in whole or in part for any other project without the written permission of, Mocoat Solutions

CLIENT:	

LOCATION:	

PROJECT:	

WORK ORDER NO:	DD MM YY
QUOTE NO:	08 05 15
SIZE: MM 12 20 9	REV NO: BY: MW



Dimensions are O.D.

Door Specs

- Standard 36" x 80" metal man door (white)
- Standard 16 Ga. Galvanized white door frame
- Standard keyed door handle
- Moccoat Standard Door chain on man door
- Moccoat Standard threshold for man door
- Moccoat Standard weather stripping for man door

Building Hardware Specs

- Dow Corning 795 Grey caulking
- Eternabond Webseal 4" roof tape
- Nuco BG100 Silicone coating
- Side panels fastened with Gr5 hex cap bolts c/w nut and washers
- End panels fastened with Gr2 carriage bolts c/w self tapping nut
- Panels fastened to base with stainless steel lag bolts

Ownership of Documents

This document, the ideas and designs incorporated herein, as an instrument of service, is the property of Moccoat Solutions and is NOT to be used in whole or in part for any other project without the written permission of, Moccoat Solutions

CLIENT:	

LOCATION:	

PROJECT:	

WORK ORDER NO:	DD MM YY
QUOTE NO:	08 05 15
SIZE: MM 12 20 9 REV NO:	BY: MW