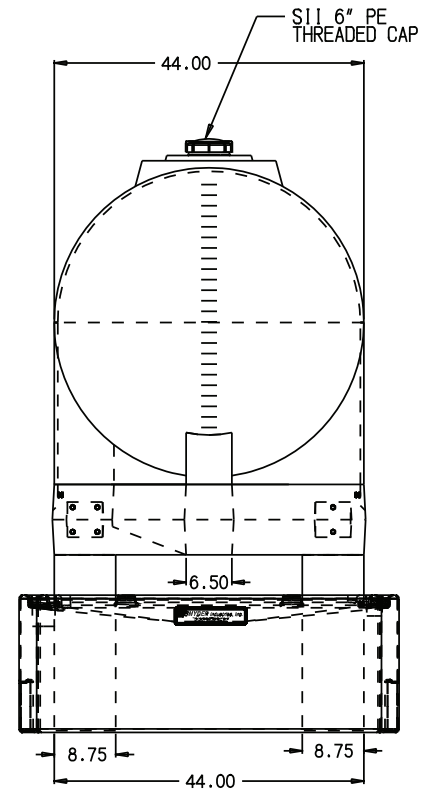
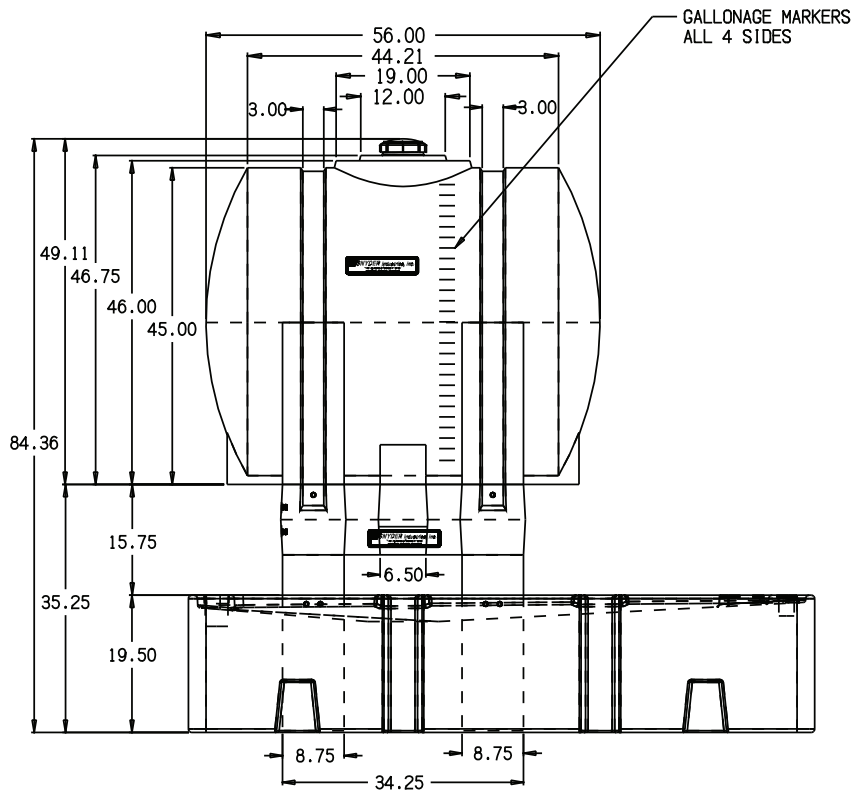
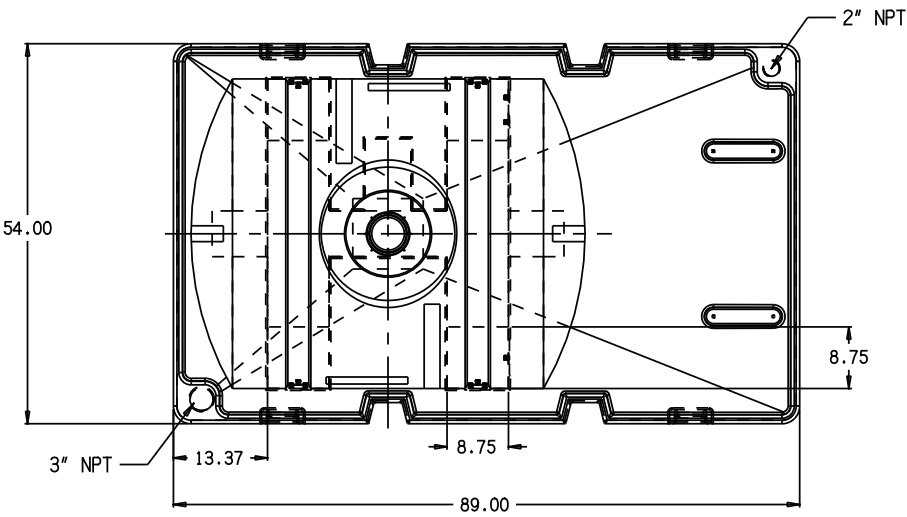


APPROX. BRIMFUL CAPACITY:  
 TANK: 339.9 GAL.  
 CONTAINMENT: 381.0 GAL.



\* BASE FITTINGS TO BE LEFT INSTALLED AT TIME OF SHIPMENT PER SII PROCEDURE  
 Available on-line at [WWW.MOCOAT.CA](http://WWW.MOCOAT.CA)

(all dimensions in inches)

PART #	TANK:	1004100N--
	STAND:	1004200N--
	CONTAINMENT:	1004700N--
REF#:	0000	09/01/10

### 335 GALLON HORIZONTAL LEG TANK, STAND, & CONTAINMENT