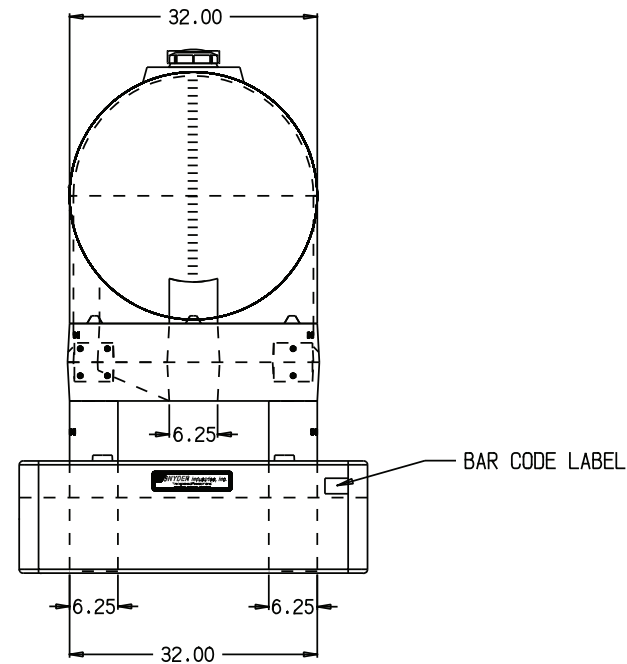
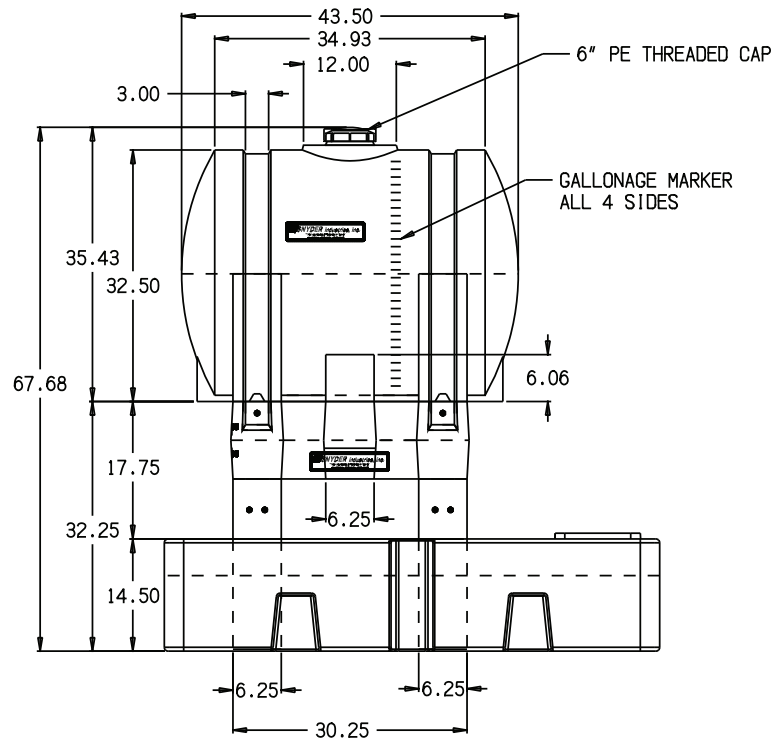
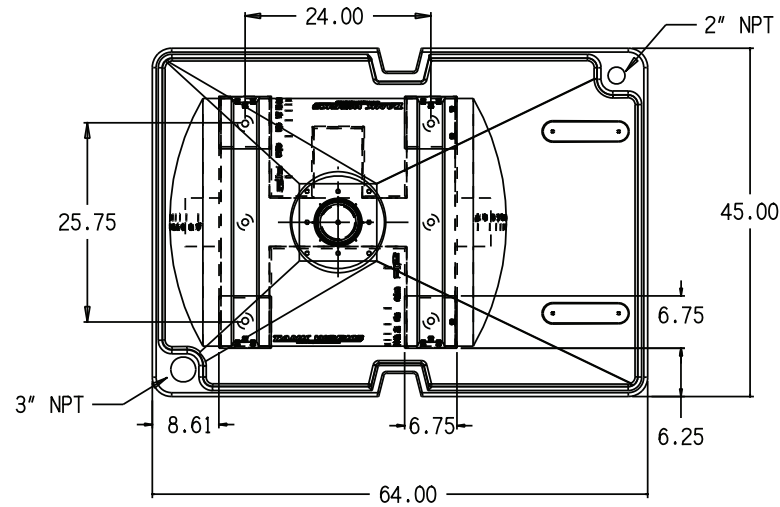


APPROX. BRIMFUL CAPACITY:
 TANK: 135.6 GAL.
 CONTAINMENT: 167.1 GAL.



MOCOAT SOLUTIONS

* BASE FITTINGS TO BE LEFT INSTALLED AT TIME OF SHIPMENT PER SII PROCEDURE
 AVAILABLE ON-LINE AT WWW.MOCOAT.CA

(all dimensions in inches)

PART #	TANK:	1003600N--
	STAND:	1003700N--
	CONTAINMENT:	1003800N--
REF#:	0000	09/01/10

125 GALLON HORIZONTAL LEG TANK, STAND, & CONTAINMENT